

Model

HH80c

PowerPrime
Pumps



HH80c Overview:

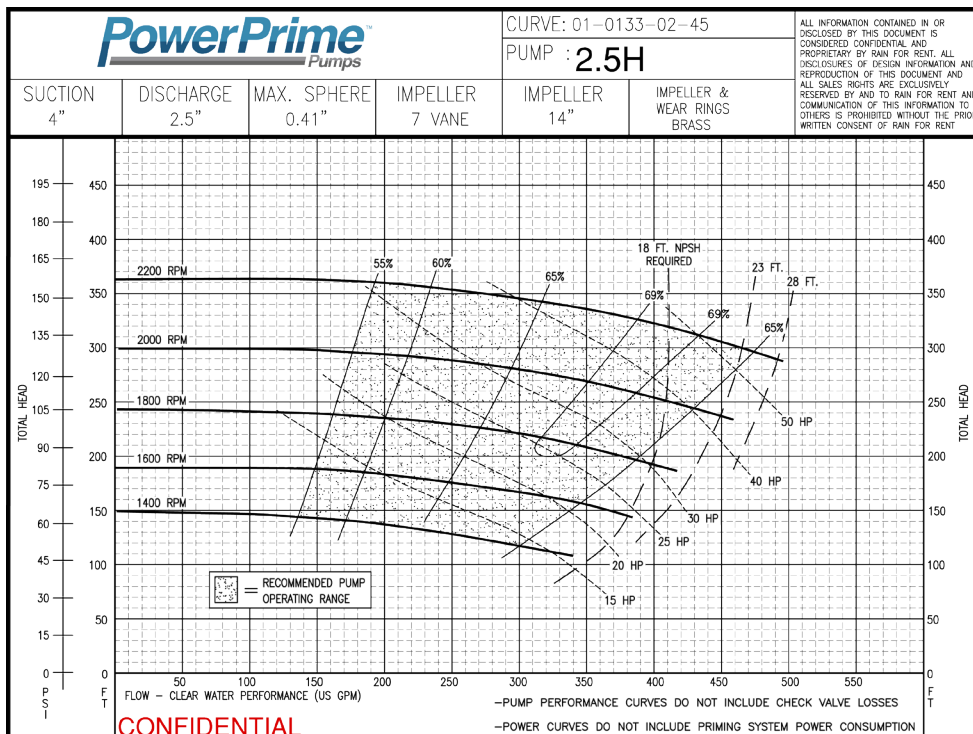
The 4 inch (76.2mm) HH80c Clean Prime™ is an extremely robust pump unit, capable of flow rates to 480 GPM, total dynamic heads to 360 feet (109.7M), and solids handling capabilities up to 0.41 inches (10.4mm) in diameter. The HH80c also features the Power Prime™ Pumps high pressure Tungsten vs. Silicon Carbide mechanical seal that allows for indefinite dry running, ideal for intermittent flow applications as well as our proprietary Clean Prime™ self-priming system that mitigates any product blow by in the venture priming system while maintaining suction lift capabilities of up to 28 feet. All of these features come standard on a compact skid or trailer for convenient use.

Standard Features:

- Hot Dip Galvanized Trailers and Skids
- Radiator Enclosure
- Zinc Plated Jacks
- John Deere Emissions Certified Engines
- Locking Battery Box
- Electric Brakes with Safety Breakaway

Optional DOT LED lights
Optional Floats

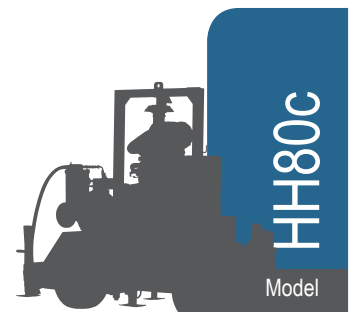
Pump Performance Curve:

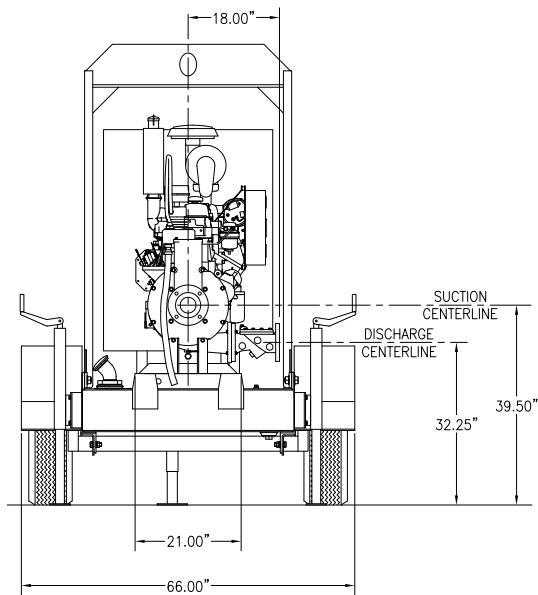
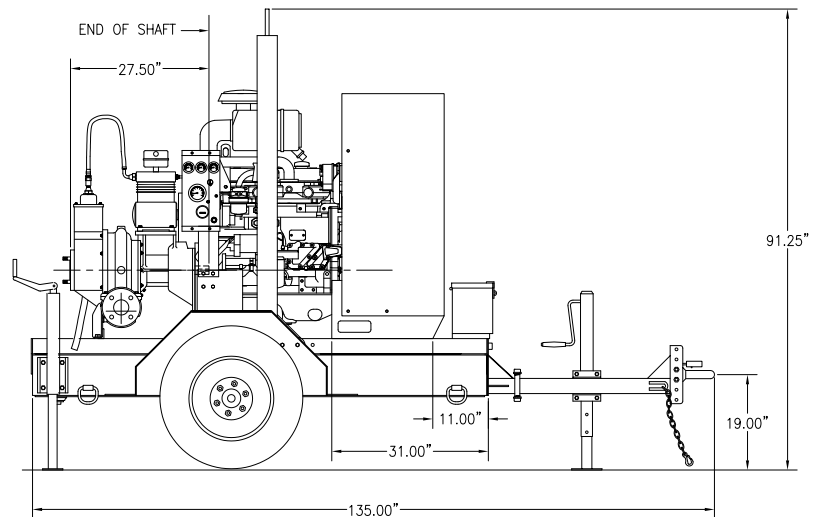


Pump Features:

- Solids-handling capabilities to .41" diameter maximum
- Continuous self-priming
- Runs dry unattended
- Suction lift up to 28 ft.
- Auto-start-capable control panel

Optional Stainless Steel
Optional Ductile Iron



Dimensions:**REAR VIEW****SIDE VIEW****Standard Model Specifications:****Pump:**

- Pump Size: 4"x3" ANSI 150# flanges standard
- Suction Cover: ASTM A48 class 30 gray iron
- Wear Ring: ASTM A48 class 30 gray iron
- Volute Casing: ASTM A48 class 30 gray iron
- Back Plate: ASTM A48 class 30 gray iron
- Mechanical Seal: Tungsten vs silicon carbide seal faces
Viton elastomers, 300 series stainless steel hardware and spring, seal system designed for dry running
- Impeller: Enclosed type, seven vane, non-clog, with .41" spherical solids handling capability ASTM A48 class 30 gray iron
- Bearing Housing: ASTM A48 class 30 gray iron

Engine:

- Model: 4024TF290 iT4
- 49 intermittent horsepower @ 2400
- Four cylinder, four cycle, water cooled diesel engine
- Governor: Electronic
- Lubrication: Force feed

PowerPrime
Pumps

powerprime.com

P.O. Box 2248
Bakersfield, CA 93303

800.647.7246

sales@powerprime.com